

IC-GM1600E



GMDSS Portable for Survival Craft

- **Meets the strict environmental requirements for survival craft radio**

The IC-GM1600E meets temperature, thermal shock, vibration and drop resistant (from 1 m height) requirements. After passing those environmental tests, the IC-GM1600E retains 1m depth waterproof construction as specified by IMO resolutions A.809(19), A.694(17) and related specifications.

- **Optional high capacity Lithium battery, BP-234, has superior low temperature characteristics**

Provides more than 8 hours operating time even at -20°C.
(Duty cycle: Tx: Rx: Stand-by = 6: 6: 48)

- **Large keypad with positive button action**

- **Wide viewing angle LCD display**

- **Meets MED 96/98/EC, "Wheel mark" requirements**



- **Other features**

- One touch access to Channel 16 and call channel
- Highly visible yellow colored body
- Bright LED indicator on the top of panel



SPECIFICATIONS

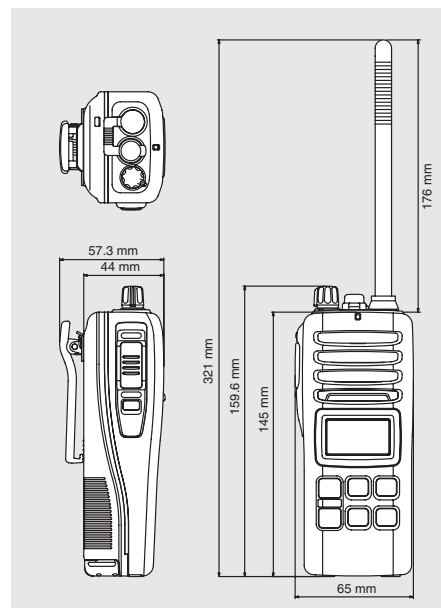
GENERAL

- Frequency range Tx/Rx : 156.300–156.875MHz
- Mode : FM (16K0G3E)
- Power supply requirement : 7.2V DC nominal
- Current drain (approx. at 7.2V DC) :
 - Tx 2W output 1.0A
 - 1W output 0.7A
 - Rx AF max. 200mA
- Operating Temp. range : -20°C to +55°C
- Antenna impedance : 50Ω (SMA fixed-type)
- Dimensions (W×H×D) : 65×145×44 mm (projections not included)
- Weight (approx.) : 385g (with BP-234)

RECEIVER

- Sensitivity (20dB SINAD) : -2dBμ typ. (emf)
- Squelch sensitivity : ±0dBμ typ. (emf) (at threshold)
- Adjacent channel selectivity : 70dB
- Spurious response : 70dB
- Intermodulation rejection : 68dB
- Hum and noise ratio : 40dB
- Audio output power : 0.2W (at 10% distortion with an 8Ω load)

DIMENSIONS



TRANSMITTER

- Output power : 2W/1W (Hi/Low)
- Max. frequency deviation: ± 5.0kHz
- Frequency error : ± 1.5kHz
- Spurious emissions : 0.25μW (30MHz–1GHz)
1.00μW (1GHz–2GHz)
- Adjacent channel power : 70dB
- FM Hum and noise ratio : 40dB
- Audio harmonic distortion : Less than 10% (at 60% deviation)

Supplied accessories: (* Depending on version)

- Battery pack, BP-252*
- AC adapter, BC-147*
- Antenna, FA-S61V (fixed)
- Battery charger, BC-173*
- Belt clip, MB-103Y
- Neck strap

Measurement made in accordance with IEC61097-12.
All stated specifications are subject to change without notice or obligation.
To comply with the requirements of GMDSS survival craft radio, the primary battery pack, BP-234, is required.

OPTIONS

LITHIUM BATTERY PACK



BP-234

<For survival craft>
BP-234 LITHIUM BATTERY PACK
9.0V/3300mAh primary battery pack for GMDSS survival craft radio.

Li-Ion BATTERY PACK



BP-252

<For on-board use>
BP-252 Li-Ion BATTERY PACK
7.4V/950mAh (min), 980mAh (typ.).
Same as supplied with some versions.

REGULAR CHARGER



BC-147

BC-173

<For on-board use>
BC-173 DESKTOP CHARGER
+ **BC-147*** AC ADAPTER
Regularly charges the battery pack, BP-252 in 10 hours (approx.).

* BC-147SE for 230V AC. SA for 120V AC. SV for 240V AC.

BELT CLIP



MB-103Y

MB-103Y BELT CLIP
Alligator type belt clip. Same as supplied.

Icom, Icom Inc. and the Icom logo are registered trademarks of Icom Incorporated (Japan) in the United States, the United Kingdom, Germany, France, Spain, Russia, Japan and/or other countries.

Icom Inc. 1-1-32, Kami-minami, Hirano-ku, Osaka 547-0003, Japan Phone: +81 (06) 6793 5302 Fax: +81 (06) 6793 0013 www.icom.co.jp/world **Count on us!**

Icom America Inc.

2380 116th Avenue NE,
Bellevue, WA 98004, U.S.A.
Phone : +1 (425) 454-8155
Fax : +1 (425) 454-1509
E-mail : sales@icomamerica.com
URL : <http://www.icomamerica.com>

Icom New Zealand

146A Harris Road, East Tamaki,
Auckland, New Zealand
Phone : +64 (09) 274 4062
Fax : +64 (09) 274 4708
E-mail : inquiries@icom.co.nz
URL : <http://www.icom.co.nz>

Icom (UK) Ltd.

Blacksole House, Altira Park,
Herne Bay, Kent, CT6 6GZ, U.K.
Phone : +44 (01227) 741741
Fax : +44 (01227) 741742
E-mail : info@icomuk.co.uk
URL : <http://www.icomuk.co.uk>

Asia Icom Inc.

6F No. 68, Sec. 1 Cheng-Teh Road,
Taipei, Taiwan, R.O.C.
Phone : +886 (02) 2559 1899
Fax : +886 (02) 2559 1874
E-mail : sales@asia-icom.com
URL : <http://www.asia-icom.com>

Icom Canada

Glenwood Centre #150-6165 Highway 17,
Delta, B.C., V4K 5B8, Canada
Phone : +1 (604) 952-4266
Fax : +1 (604) 952-0090
E-mail : info@icomcanada.com
URL : <http://www.icomcanada.com>

Icom (Europe) GmbH

Communication Equipment
Auf der Krautweide 24
65812 Bad Soden am Taunus, Germany
Phone : +49 (6196) 76685-0
Fax : +49 (6196) 76685-50
E-mail : info@icomeurope.com
URL : <http://www.icomeurope.com>

Icom France s.a.s.

Zac de la Plaine,
1 Rue Brindejone des Moulinais, BP 45804,
31505 Toulouse Cedex 5, France
Phone : +33 (5) 61 36 03 03
Fax : +33 (5) 61 36 03 00
E-mail : icom@icom-france.com
URL : <http://www.icom-france.com>

Icom (Australia) Pty. Ltd.

Unit 1 / 103 Garden Road,
Clayton, VIC 3168 Australia
Phone : +61 (03) 9549 7500
Fax : +61 (03) 9549 7505
E-mail : sales@icom.net.au
URL : <http://www.icom.net.au>

Icom Spain S.L.

Ctra. Rubi, No. 88 "Edificio Can Castanyer"
Bajos A 08174, Sant Cugat del Valles,
Barcelona, Spain
Phone : +34 (93) 590 26 70
Fax : +34 (93) 589 04 46
E-mail : icom@icomspain.com
URL : <http://www.icomspain.com>

Icom Polska

81-850 Sopot, ul. 3 Maja 54, Poland
Phone : +48 (58) 550 7135
Fax : +48 (58) 551 0484
E-mail : icompolska@icompolska.com.pl
URL : <http://www.icompolska.com.pl>

Supplied by:
capcom

Email: sales@capcom.co.uk
Tel: +44(0)23 8042 8428

www.capcom.co.uk